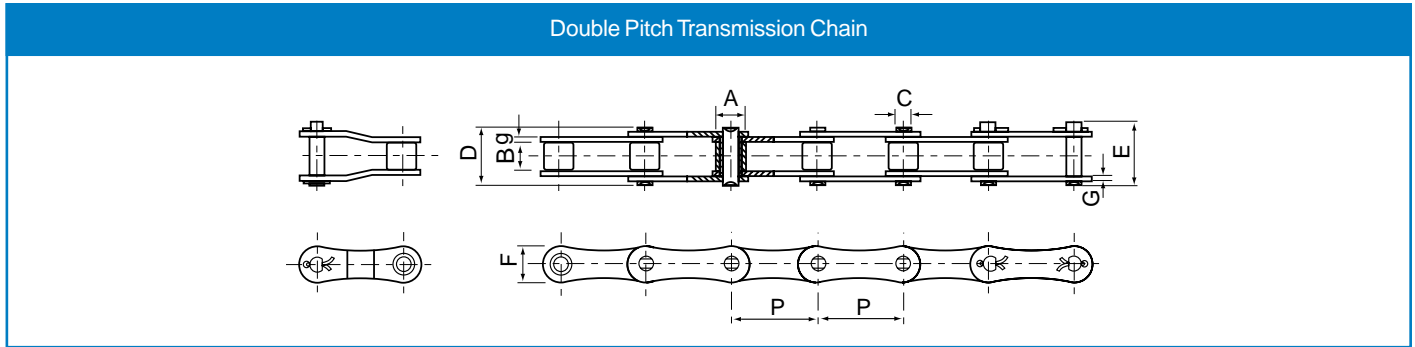


Double Pitch Chain

Double Pitch Transmission Chain

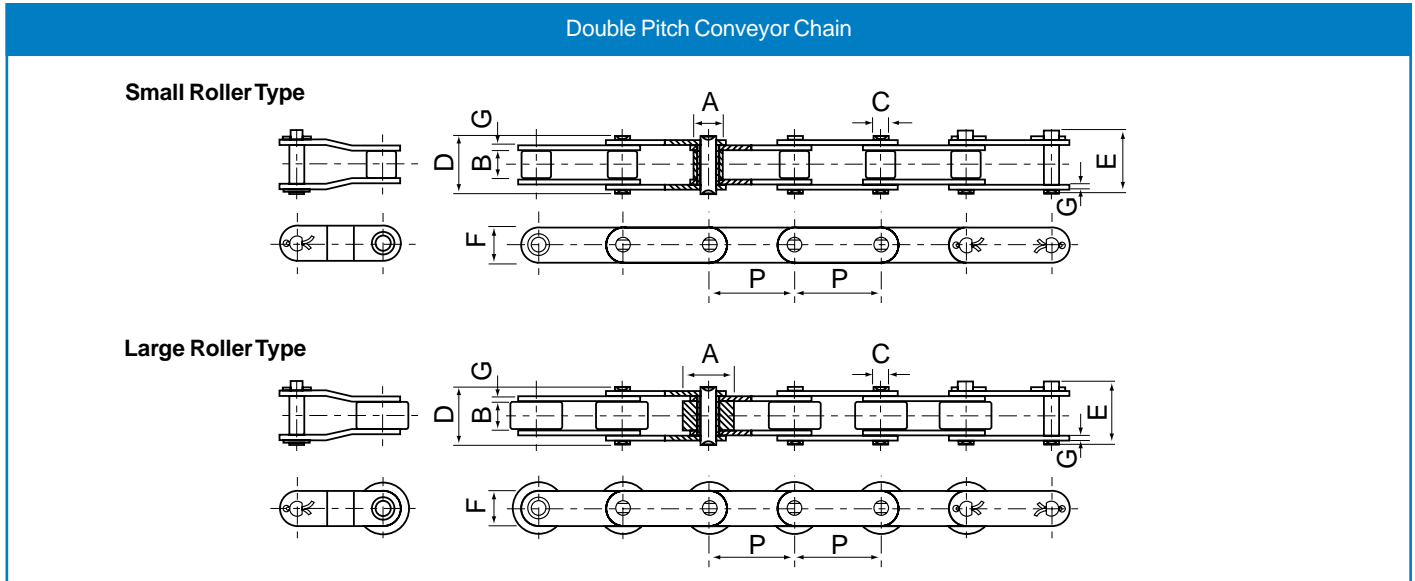


ISO ChainNo.	ANSI ChainNo.	Pitch	Roller diameter	Width between inner plates		Pin length		Inner plate height F mm	Plate thickness g/G mm	Minimum tensile strength kN	Average tensile strength kN	Weight per meter kg/m
		P mm	A mm	B mm	C mm	D mm	E mm					
208B	A2040	25.40	7.95	7.85	3.96	16.60	17.80	12.00	1.50	14.10	16.70	0.42
	A2050	25.40	8.51	7.75	4.45	16.70	18.20	11.80	1.60	18.00	19.40	0.45
210B	A2050	31.75	10.16	9.40	5.08	20.70	22.20	15.00	2.03	22.20	28.10	0.73
	A2060	31.75	10.16	9.65	5.08	19.50	20.90	14.70	1.70	22.40	27.50	0.65
212B	A2060	38.10	11.91	12.57	5.94	25.90	27.70	18.00	2.42	31.80	36.80	1.02
	A2080	38.10	12.07	11.68	5.72	22.50	25.20	16.00	1.85	29.00	32.20	0.76
216AH	A2100	50.80	15.88	15.75	7.92	32.70	36.50	24.00	3.25	56.70	65.70	1.70
216B		50.80	15.88	15.75	7.92	36.20	39.40	24.00	4.00	56.70	70.00	2.17
220B	A2120	50.80	15.88	17.02	8.28	36.10	39.10	21.00	4.15/3.1	60.00	72.80	1.75
		63.50	19.05	18.90	9.53	40.40	44.70	30.00	4.00	88.50	102.60	2.55
224B	A2120	63.50	19.05	19.56	10.19	41.30	45.00	26.40	4.5/3.5	95.00	106.70	2.62
		76.20	22.23	25.22	11.10	50.30	54.30	35.70	4.80	127.00	147.30	4.06
228B		76.20	25.40	25.40	14.63	53.40	57.80	33.20	6.0/4.8	160.00	178.00	4.70
232B		88.90	27.94	30.99	15.90	65.10	69.50	36.70	7.5/6.0	200.00	222.00	6.23
		101.60	29.21	30.99	17.81	66.00	71.00	42.00	7.0/6.0	250.00	277.50	6.72

Standard boxed lengths are 5 meters
Special lengths available.

Double Pitch Chain

Double Pitch Conveyor Chain



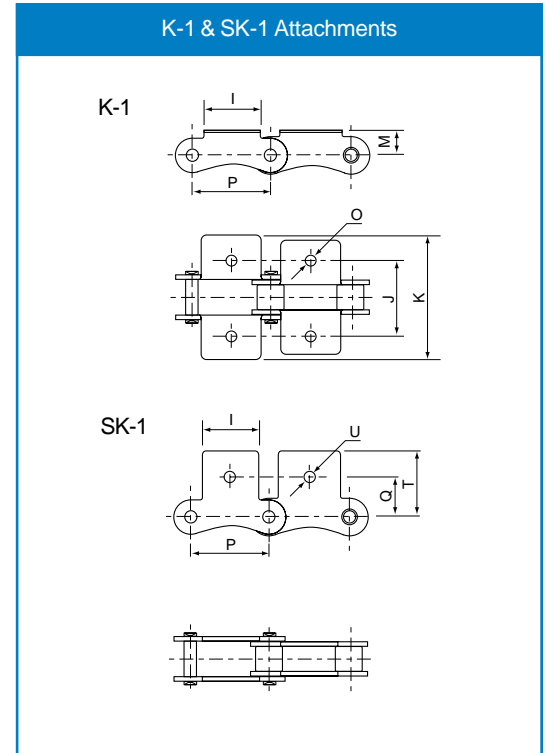
ISO ChainNo.	ANSI ChainNo.	Pitch	Roller diameter	Width between inner plates	Pin diameter	Pin length		Inner plate height	Plate thickness	Minimum tensile strength	Average tensile strength	Weight per meter
		P mm	A mm			B mm	C mm					
	C2040	25.40	7.95	7.85	3.96	16.60	17.80	12.00	1.50	14.10	16.70	0.50
	C2042		15.88									
C208B C208BL	C2040H	25.40	7.95	7.85	3.96	18.80	19.90	12.00	2.03	14.10	17.20	0.65
		25.40	8.51 15.88	7.75	4.45	16.70	18.20	11.80	1.60	18.00	19.40	0.55 0.89
	C2050	31.75	10.16	9.40	5.08	20.70	22.20	15.00	2.03	22.20	28.10	0.78
	C2052		19.05									
	C2060	38.10	11.91	12.57	5.94	25.90	27.70	18.00	2.42	31.80	36.80	1.12
	C2062		22.23									
	C2060H	38.10	11.91	12.57	5.94	29.20	31.60	18.00	3.25	31.80	41.60	1.44
	C2062H		22.23									
	C2080	50.80	15.88	15.75	7.92	32.70	36.50	24.00	3.25	56.70	65.70	2.08
	C2082		28.58									
	C2080H	50.80	15.88	15.75	7.92	36.20	39.40	24.40	4.00	56.70	70.00	2.54
	C2082H		28.58									
	C2100	63.50	19.05	18.90	9.53	40.40	44.70	30.00	4.00	88.50	102.60	3.01
	C2102		39.67									
	C2100H	63.50	19.05	18.90	9.53	43.60	46.90	30.00	4.80	88.50	112.40	3.56
	C2102H		39.67									
	C2120	76.20	22.23	25.22	11.10	50.30	54.30	35.70	4.80	127.00	147.30	4.66
	C2122		44.45									
	C2120H	76.20	22.23	25.22	11.10	53.50	57.50	35.70	5.60	127.00	160.90	5.26
	C2122H		44.45									
	C2160	101.60	28.58	31.75	14.27	64.80	69.60	47.80	6.40	226.80	278.90	8.23
	C2162		57.15									
	C2160H	101.60	28.58	31.75	14.27	68.20	73.00	47.80	7.20	226.80	285.80	9.06
	C2162H		57.15									

Standard boxed lengths are 5 meters
Special lengths available.

Double Pitch Attachments

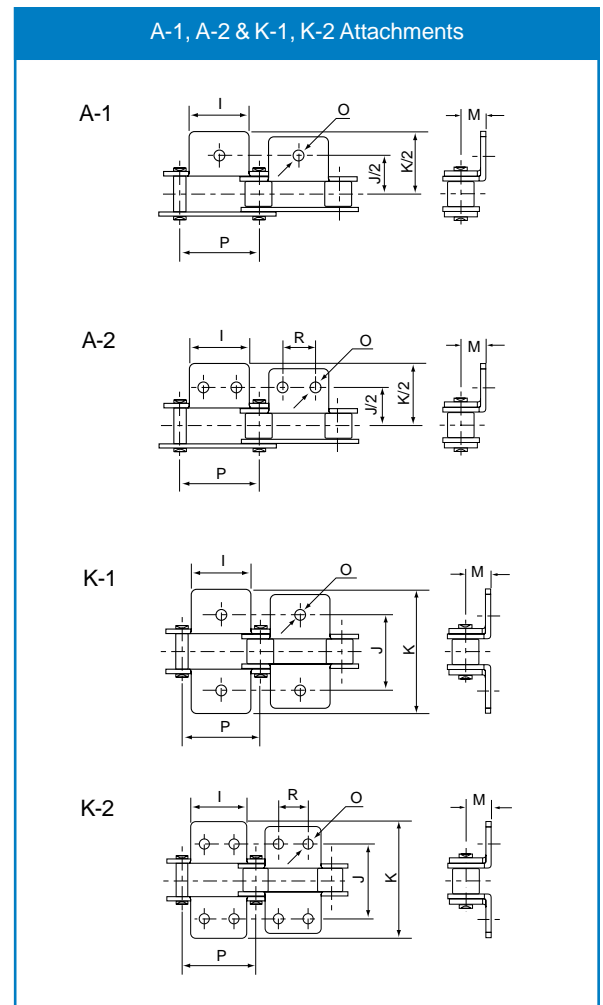
K-1 & SK-1 Attachments

ANSI Chain No.	P mm	I mm	J mm	K mm	M mm	ØO mm	Q mm	T mm	ØU mm
A2040	25.40	19.1	25.4	39.6	9.1	3.4	11.1	20.5	5.5
A2050	31.75	23.8	31.8	49.0	11.1	5.5	14.3	25.0	6.6
A2060	38.10	28.6	42.9	67.8	14.7	5.5	17.5	32.9	9.2
A2080	50.80	38.1	55.6	87.8	19.1	6.8	22.2	43.5	11.0
A2100	63.50	47.6	66.6	107.5	23.4	9.2	28.6	50.4	13.0
A2120	76.20	57.2	79.3	127.5	27.8	11.0			



A-1, A-2 & K-1, K-2 Attachments

ISO Chain No.	ANSI Chain No.	P mm	I mm	R mm	J mm	K mm	M mm	ØO mm
C208B C208BL	C2040 C2042	25.40	19.10	9.50	25.40	39.60	9.10	3.40
		25.40	23.20	12.70	25.40	39.60	9.10	4.50
	C2050 C2052	31.75	23.80	11.90	31.80	49.00	11.10	5.50
	C2060 C2062	38.10	28.60	14.30	42.90	67.80	14.70	5.50
	C2060H C2062H	38.10	28.60	14.30	42.90	67.80	14.70	5.50
	C2080 C2082	50.80	38.10	19.10	55.60	87.80	19.10	6.80
	C2080H C2082H	50.80	38.10	19.10	55.60	87.80	19.10	6.80
	C2100 C2102	63.50	47.60	23.80	66.60	107.50	23.40	9.20
	C2100H C2102H	63.50	47.60	23.80	66.60	107.50	23.40	9.20
	C2120 C2122	76.20	57.20	28.60	79.30	121.40	27.80	11.00
	C2120H C2122H	76.20	57.20	28.60	79.30	121.40	27.80	11.00
	C2160 C2162	101.60	76.20	38.10	104.70	151.60	36.50	13.10
	C2160H C2162H	101.60	76.20	38.10	104.70	151.60	36.50	13.10

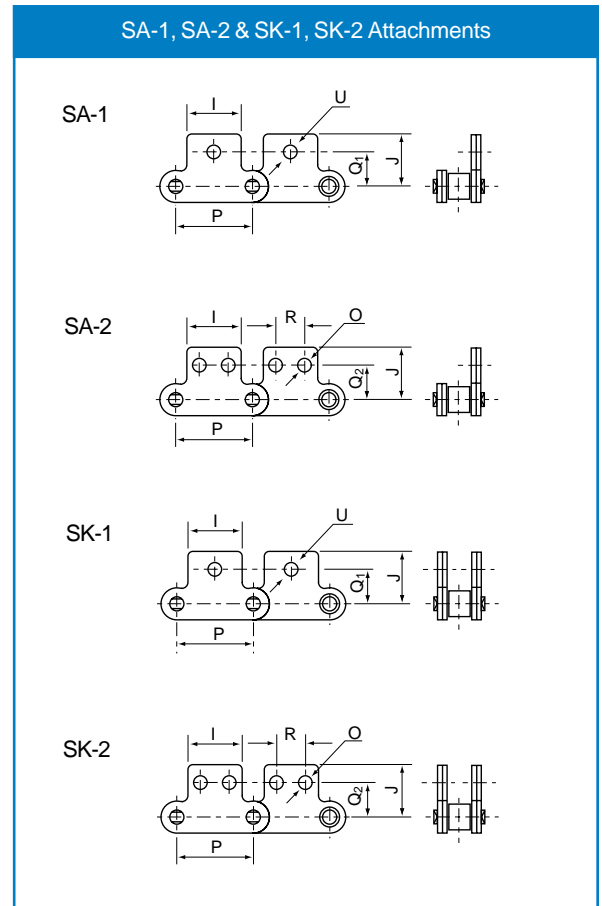


Every effort has been taken to ensure that the data listed in this catalogue is correct. Challenge accepts no liability for any inaccuracies or damage caused. All dimensions in millimetres unless otherwise stated.

Double Pitch Attachments

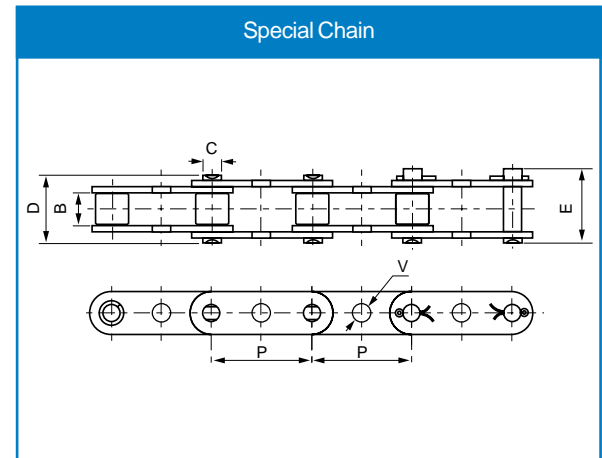
SA-1, SA-2 & SK-1, SK-2 Attachments

ISO Chain No.	ANSI Chain No.	P mm	I mm	R mm	Q ₁ mm	Q ₂ mm	J mm	ØO mm	ØU mm
	C2040 C2042	25.40	19.10	9.50	11.10	13.50	20.50	3.40	5.50
C208B C208BL		25.40	23.20	12.70	11.10	13.50	20.50	4.50	5.50
	C2050 C2052	31.75	23.80	11.90	14.30	15.90	25.00	5.50	6.60
	C2060 C2062	38.10	28.60	14.30	17.50	19.10	32.90	5.50	9.20
	C2060H C2062H	38.10	28.60	14.30	17.50	19.10	32.90	5.50	9.20
	C2080 C2082	50.80	38.10	19.10	22.20	25.40	43.50	6.60	11.00
	C2080H C2082H	50.80	38.10	19.10	22.20	25.40	43.50	6.60	11.00
	C2100 C2102	63.50	47.60	23.80	28.60	31.80	50.40	8.40	13.00
	C2100H C2102H	63.50	47.60	23.80	28.60	31.80	50.40	8.40	13.00



Special Chain (Attachment Holes in Side Plate)

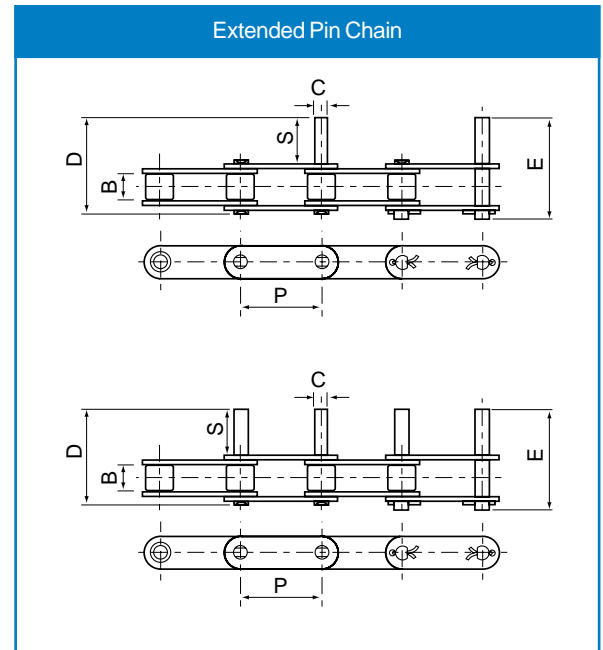
ANSI Chain No.	P mm	B mm	ØC mm	ØV mm	D mm	E mm
C2040 C2042	25.40	7.85	3.96	4.10	16.60	18.80
C2050 C2052	31.75	9.40	5.08	5.10	20.70	23.30
C2060 C2062	38.10	12.57	5.94	6.10	25.90	28.30
C2060H C2062H	38.10	12.57	5.94	6.10	29.20	31.60
C2080 C2082	50.80	15.75	7.92	8.10	32.70	36.50
C2080H C2082H	50.80	15.75	7.92	8.10	36.20	39.40
C2100 C2102	63.50	18.90	9.53	10.10	40.40	44.70
C2100H C2102H	63.50	18.90	9.53	10.10	43.60	46.90



Double Pitch Chain

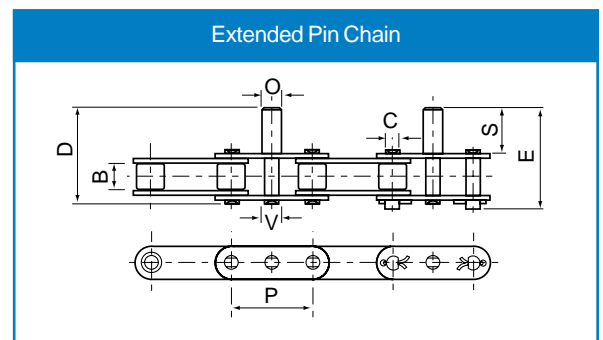
Extended Pin Chain

ANSI Chain No.	P mm	B mm	C mm	ØC mm	S mm	D mm	E mm
C2040	25.40	7.85	3.96	9.50	25.10	26.20	
C2042							
C2050	31.75	9.40	5.08	11.90	31.30	33.10	
C2052							
C2060	38.10	12.57	5.94	14.30	38.60	40.60	
C2062							
C2060H	38.10	12.57	5.94	14.30	42.00	43.80	
C2062H							
C2080	50.80	15.75	7.92	19.10	50.30	53.30	
C2082							
C2080H	50.80	15.75	7.92	19.10	53.50	55.00	
C2082H							
C2100	63.50	18.90	9.53	23.80	61.80	66.10	
C2102							
C2100H	63.50	18.90	9.53	23.80	65.00	68.30	
C2102H							
C2120H	76.20	25.22	11.10	28.60	79.60	83.60	
C2122H							
C2160H	101.60	31.75	14.27	38.10	103.00	107.80	
C2162H							



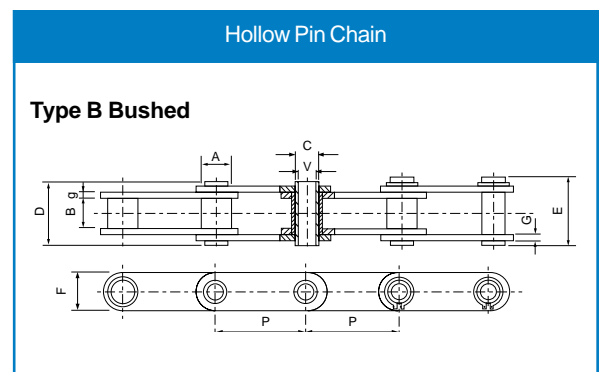
Extended Pin Chain

Chain No.	P mm	B mm	C mm	ØV mm	ØO mm	S mm	D mm
C2060H	38.10	12.57	5.94	5.94	8.00	25.00	53.00
C2060H	38.10	12.57	5.94	8.08	10.00	35.00	63.00
C2060H	38.10	12.57	5.94	5.94	12.70	41.20	69.20
C2060H	38.10	12.57	5.94	5.94	14.28	41.20	69.20



Hollow Pin Chain

Chain No.	Pitch	Roller diameter	Width between inner plates		Pin diameter		Pin length		Inner plate height F mm	Plate thickness g/G mm	Minimum tensile strength kN	Average tensile strength kN	Weight per meter kg/m	Type form
	P mm		A mm	B mm	C mm	V mm	D mm	E mm						
C2040HP	25.400	7.95	7.85	5.63	4.00	16.5	17.6	12.00	1.50	11.00	12.6	0.46	B	
C2050HP	31.750	10.16	9.40	7.22	5.12	20.5	21.8	15.00	2.03	20.40	22.8	0.76	B	
C2060HP	38.100	11.91	12.70	8.31	6.00	25.8	26.8	17.00	2.42	24.00	27.1	1.02	B	
C2080HP	50.800	15.88	15.75	11.40	8.05	32.5	33.8	24.00	3.25	50.00	55.2	1.81	B	



Every effort has been taken to ensure that the data listed in this catalogue is correct. Challenge accepts no liability for any inaccuracies or damage caused. All dimensions in millimetres unless otherwise stated.